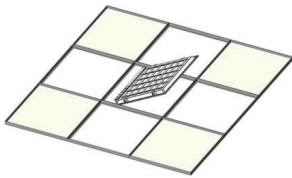
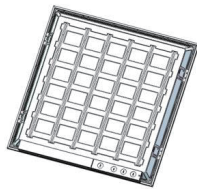


Installation Manual for Back-Lit Flat Panels: 3 Options

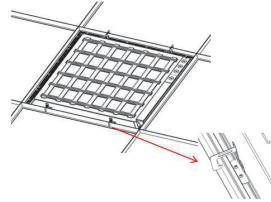
I. Recessed Installation (Standard)



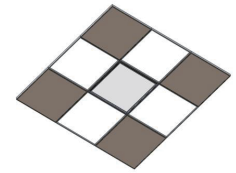
1. Remove the ceiling tile at an appropriate location where the product is to be installed and raise the product above the bar.



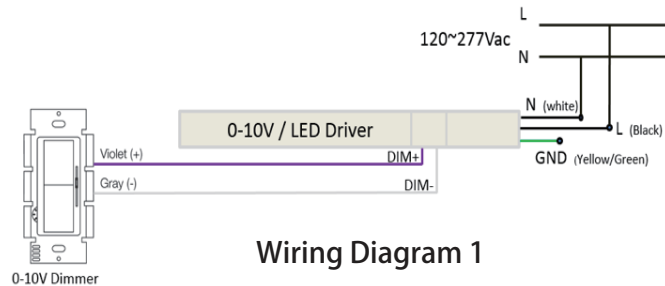
2. With power turned off at the breaker, connect power to driver based on wiring diagram.



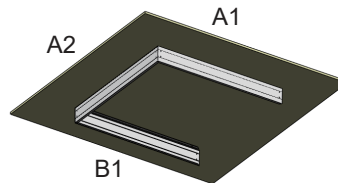
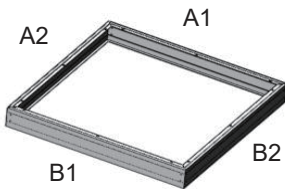
3. Fold the four protection brackets so they will be above the T-bar.



4. Slowly rest the luminaire on the T-bar and ensure it fits appropriately.

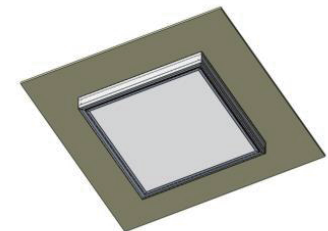
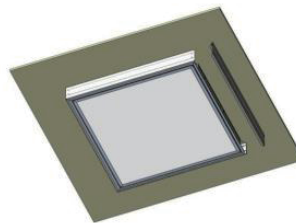
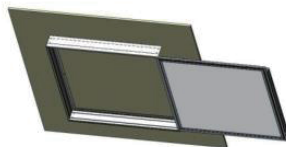


II. Surface Mount Installation (Kit Ordered Separately)



1. Fix A1/A2/B1/B2 with snap-in plastic comers, making it a complete frame.

2. Fix the frame to ceiling with screws. Remove the B2 side of the frame for luminaire installation.

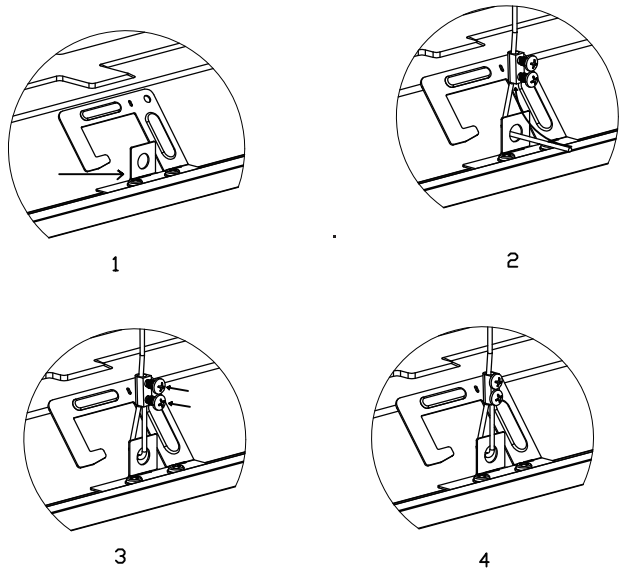
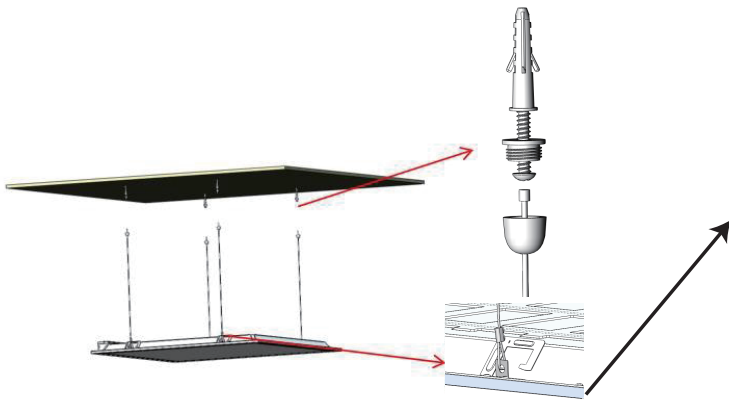


3. Slide luminaire partially into mounting frame, as shown. With power turned off at the breaker, connect power to driver according to wiring diagram.

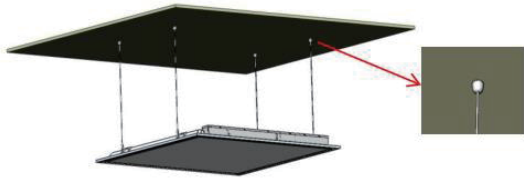
4. Push up luminaire into the frame seamlessly.

5. Screw up B2 with screws.

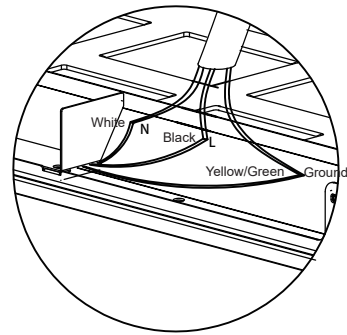
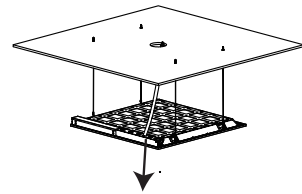
III. Suspended Installation (Kit Ordered Separately)



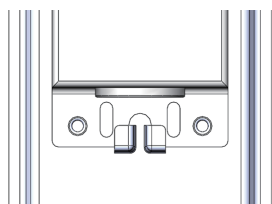
1. Position the expanded screws at one end of the cable on the ceiling and hook the other end of the cable onto the panel.



2. Connect the screw cap to the expanded nut of the ceiling. With power turned off at the breaker, connect power to driver based on the wiring diagram to complete the installation.



Emergency Battery Installation Manual for Back-Lit Flat Panels (Ordered Separately)



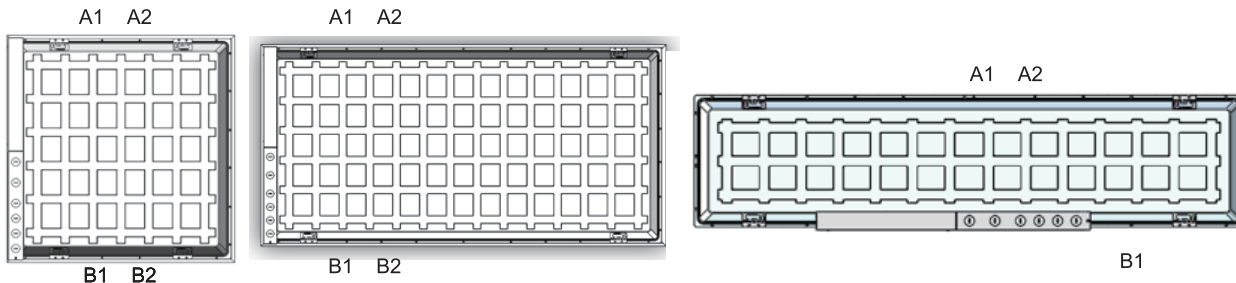
Flex A

Flex A

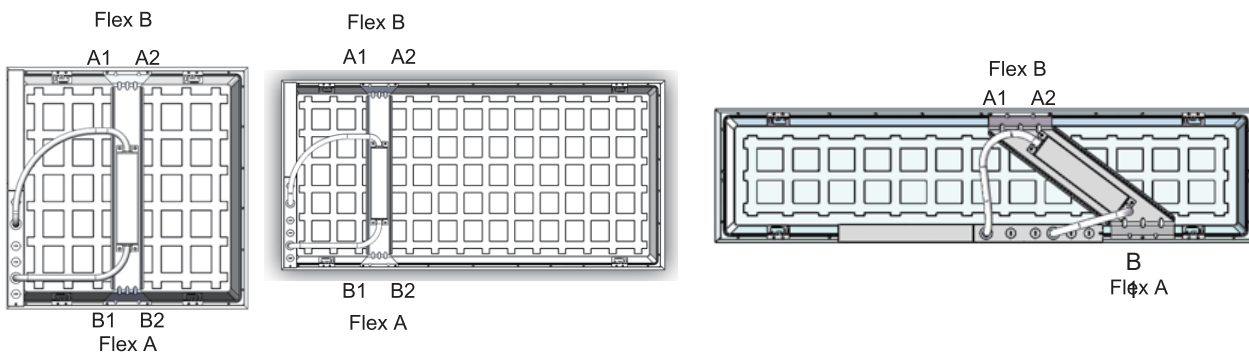
Flex B



1. Insert the high-voltage side (Flex A) of the emergency power into the bracket slot, and then fix the emergency battery to the supporting bridge by using two screws on Flex B side and two screws on Flex A side.



2. Screw out A1/A2/B1/B2.



3. Install the EM supporting bridge on the back plate and screw in A1/A2/B1/B2 and wiring. The high-voltage side of the EM battery is in the same direction as the driving high-voltage section.

4. Wiring Diagram

